

Electric –drive Crawler Jaw Crusher

# Dendoman NE100J

*Nakayama proudly introduces a new-concept compact crawler jaw crusher. Besides its powerful crushing, the crusher can smoothly move about in the limited site area especially in the urban areas.*



- Crushing rocks, concrete and asphalt wastes
- Crushing operation in small-scale quarries and recycling plants
- Demolition and construction work sites



## The Advent of “Dendoman”

Nakayama has chosen the electric drive crushing system to minimize the overall life cycle costs of the machine including fuel and running costs as well as initial purchase cost.

This **DENDOMAN** crusher gives higher energy efficiency, easier maintenance and troubleshooting with the electric system

\*“Dendoman” is the generic term of Nakayama’s electric-drive crawler-mounted equipment



## Electric –drive Crawler Jaw Crusher

# NE100J

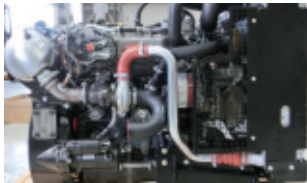
### >> GREEN BOX (OPERATION/SERVICE LOG) <<

Operating conditions such as amperage, oil pressure, etc. are monitored at all times. The operating data can be recorded in case of machine troubles for quick diagnosis and countermeasure. Parts replacement history is also recorded for easier parts management.



### >> Tier4 ENGINE <<

The generator is our own development, which gives clean exhaust gas emission and lower fuel consumption. The fuel consumption and CO2 emission are largely reduced comparing to the conventional full-hydraulic drive crushers.

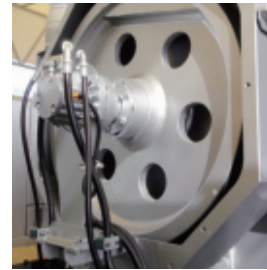


Gas emission control in Special case of Non-road vehicles 2011 Emission control complied

(Also known as: Off-road emission regulation)

## POWERFUL PERFORMANCE BASED ON OUR LONG-YEAR EXPERIENCE

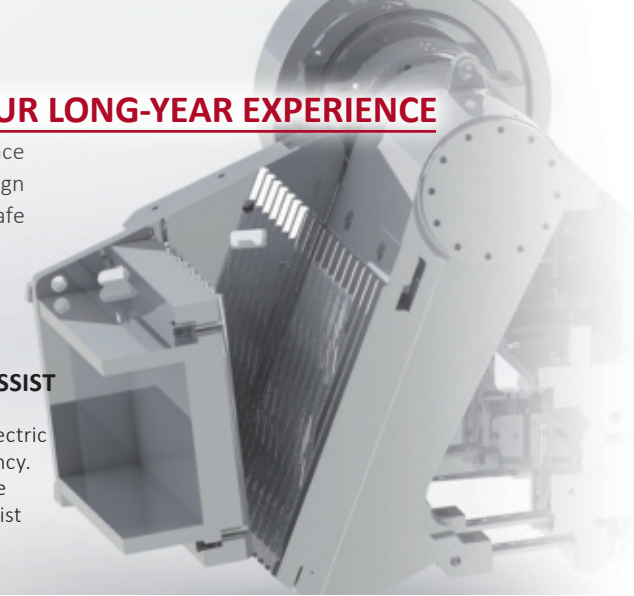
The jaw crusher on the crawler has remarkable crushing performance with the job-engineered crushing chamber design. The simple design gives higher production, easier maintenance and economical and safe operation coping with the demands of the new age.



### PATENTED

#### INNOVATIVE HYDRAULIC START ASSIST (OPTION)

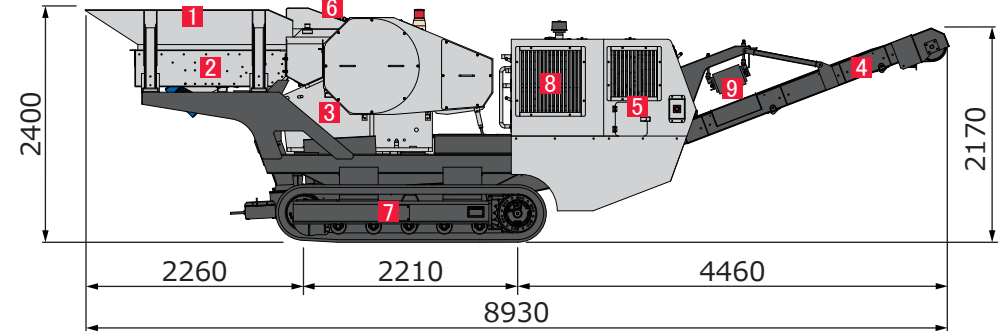
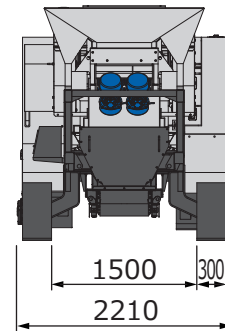
The crusher is usually operated by the electric motor which gives high operating efficiency. But in case of the material jamming in the crushing chamber, the hydraulic start assist works to discharge the jammed material safely and quickly



### >> DIMENSIONS <<

### >> NAMES OF COMPONENTS <<

- ① FEED HOPPER ② GRIZZLY (VIBRATING) FEEDER ③ JAW CRUSHER ④ BELT CONVEYOR
- ⑤ HYDRAULIC UNIT ⑥ WATER SPRAY ⑦ CRAWLER (TRACK)
- ⑧ DIESEL GENERATOR (OPTION) ⑨ MAGNETIC SEPARATOR (OPTION)



### >> SPECIFICATIONS & CAPACITY <<

MODEL	JAW CRUSHER		GRIZZLY FEEDER		APPROX. CAPACITY (TPH)	MAX. FEED SIZE T×W×L (mm)	APPROX. WEIGHT (TON)	
	MODEL	FEED OPENING W×L(mm)	MODEL	TROUGH SIZE W×L(mm)			DIESEL GENERATOR WITH	WITHOUT
NE100J	AC2415	600×370	GFT616H	600×1600	15~50	265×330×600	11	10

■ Processing capacity depends on the quality of raw materials, grain size and input mass. ■ Adjust the discharge setting widely when crush the asphalt material.

■ This machine specifications and dimensions are subject to change without prior notice.

**⚠ Safety Precautions:** In order to use this product correctly and safely, please read the technical Manual carefully before use.

(Note) Do not use reprint of drawings and information in this catalogue without prior consent of Nakayama.



HEAD OFFICE: Asahimachi, Takeo City, Saga Pref. 843-0001 JAPAN  
TEL: (81) 954-22-4171 FAX: (81) 954-23-0691  
E-MAIL: overseas@nakayamairon.co.jp

[www.ncjpn.com](http://www.ncjpn.com)

TOKYO OFFICE TEL: (81) 3-6662-4135  
OSAKA OFFICE TEL: (81) 72-672-4551  
SINGAPORE OFFICE TEL: (65) 6222-3538



ver.1.03\_20220609