

S450 — SPECIFICATIONS

Machine Rating:

Rated Operating Capacity (ISO 14397-1)	608 kg
Tipping Load	1215 kg
Pump Capacity	63.21/min
System relief at quick couplers	22.4-23.1 Mpa
Travelling Speed	0-11.4 km/h

Engine:

Make / Model	Kubota / V2203
Fuel	Diesel
Cooling	Liquid
Maximum Power (SAE J 1995 Gross) @ 2800 rpm	36.4 kW (49 hp)
Torque (SAE J1995 Gross) @ 1700 rpm	149.8 Nm
Number of Cylinders	4
Displacement	2196 cm
Fuel Tank	54.50 L

Weights:

Operating Weight	2365 kg
------------------	---------

Controls:

Vehicle Steering	Direction and speed controlled by two hand levers
Loader hydraulics tilt and lift	Separate foot pedals or optional Advanced Control System (ACS) / Selectable Joystick Controls (SJC)
Front Auxiliary (standard)	Electrical switch on right-hand steering lever

Drive System:

Transmission	Infinitely variable tandem hydrostatic piston pumps, driving two fully reversing hydrostatic motors
--------------	---

Standard Features:

Automatically activated glow plugs	Instrumentation
Auxiliary hydraulics:	Lift arm support
Bab-Tach frame	Operating lights, front and rear
Bobcat Interlock Control System (BICS)	Parking brake
10 x 16.5 10 ply, Severe duty tire	Seat belt
Electrically activated proportional front auxiliary hydraulics	Seat bar
Engine / hydraulics system shutdown	Spark arrester muffler
ROPS/FOPS Cabin	ARAI Certification
Backup Alarm	

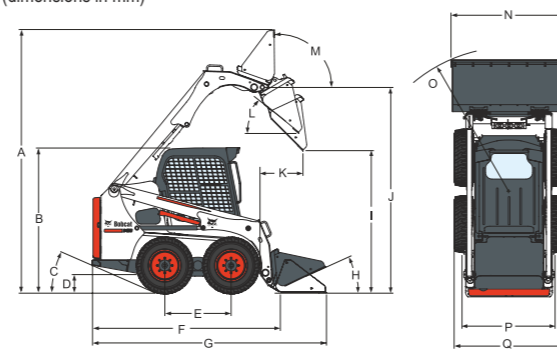
Roll Over Protective Structure (ROPS) meets requirements of SAE J1040 and ISO 3471; Falling Object Protective Structure (FOPS) meet requirements of SAE J1043 and ISO 3449, level 1

Options:

Deluxe Instrument Panel	Advanced Control System (ACS)
Power Bob-Tach	Selectable Joystick Controls (SJC)
Cab enclosure	Air ride seat with 2 point seat belt
Cab enclosure with HVAC	Radio
Hydraulic bucket positioning (including ON/OFF switch)	Strobe
Solid tyres	
Beacon	

Dimensions:

(dimensions in mm)



A	3559.0 mm	J	2781.0 mm
B	1976.0 mm	K	587.0 mm
C	23°	L	40°
D	213.0 mm	M	91°
E	899.0 mm	N	1575.0 mm
F	2502.0 mm	O	1941 mm
G	3173.0 mm	P	1222 mm
H	28°	Q	1488.0 mm
I	2157.0 mm		

Attachments:

Angle Brooms	Planers
Augers	Root Grapples
Backhoes	Scarifiers
Bale Forks	Scrapers
Breakers	Seeders
Brush Saws	Skeleton Buckets
Concrete Mixers	Snow & Light Material Buckets
Construction / Industrial Buckets	Snow Blades
Diggers	Snowblowers
Dozer Blades	Snow Pushers
Dumping Hoppers	Snow V-Blades
Fertilizer Buckets	Sod Layers
General Purpose Buckets	Soil Conditioners
Grapples, Industrial	Water Kits
Landplanes	Spreaders
Landscape Rakes	Stabilizers
Low Profile Buckets	Sweepers
Whisker Brooms	Tillers
Mowers	Tilt-Tatch
Packer Wheels	Tracks
Pallet Fork Accessories	Trenchers
Pallet Forks, Hydraulic	Utility Forks
Pallet Forks, Standard	Utility Frames
	Vibratory Rollers

Specifications and design are subject to change without notice. Pictures of Bobcat products may show other than standard equipment.



SKID STEER LOADERS

S450



Doosan Bobcat India Pvt. Ltd.,
6th Floor, HTC Towers, No.41, GST Road, Guindy, Chennai - 600 032, India.
© +91 96000 04852 | bobcatindia@doosan.com

COMPACT, COMFORT AND CONTROL

Picture the acclaimed cab of the 500 series loaders on this compact machine. For the first time in this class, large machine comfort and technology are built into a compact: for greater operator space, comfort and control.

New cab-forward design gives you greater visibility and safety.

Largest cab door on this size of machine.

HVAC and pressurized cab as a first on a machine of this size.



Performance and Control

Redesigned hydraulic and transmission systems for improved productivity.

New lift arm design for flatter lift curve and use of dual tilt cylinders.

Optional Selectable Joystick controls have operator seat mounted joysticks for increased control and comfort. Plus, 2-speed option for faster travel speed.



Uptime

New frame and lift arms for greater durability in heavy-duty applications.

Integrated rear bumper extends beyond the frame to protect the tailgate.

Long-life hydraulic oil filter extends service intervals.

Automatic drive belt tensioner.



Serviceability

Improvements to key service components:

Battery access and fuse box.

Air filter access and cover.

Hydraulic tank level and filters.

Easy clean cooling package.

Simplified grease points.

